

LOWBOY LB55-FIXED

TT
**TRUCK
TRAILER
PROS**



GENERAL SPECS

- Tare Weight : Approximately 22,000 lb.
- GVWR : 134,000 lb
- Floor : Wood at 2 1/2"
- Cross Member : Fabricated steel
- Upper Coupler Assembly : 3/8" thick pick-up plate
- Fifth Wheel Height : 49 inches
- Neck: Loading Lateral Neck Extension
- Mud Flaps : 24" x 24" black plastic, 4 hole mounting
- Electrical System : 12 volt, 7-way split pin receptacle plug
- Tail : Manual ramps

DIMENSIONS

- Overall Width : 102 inches
- Overall Length : 53 feet
- Bed Height : 40 inches

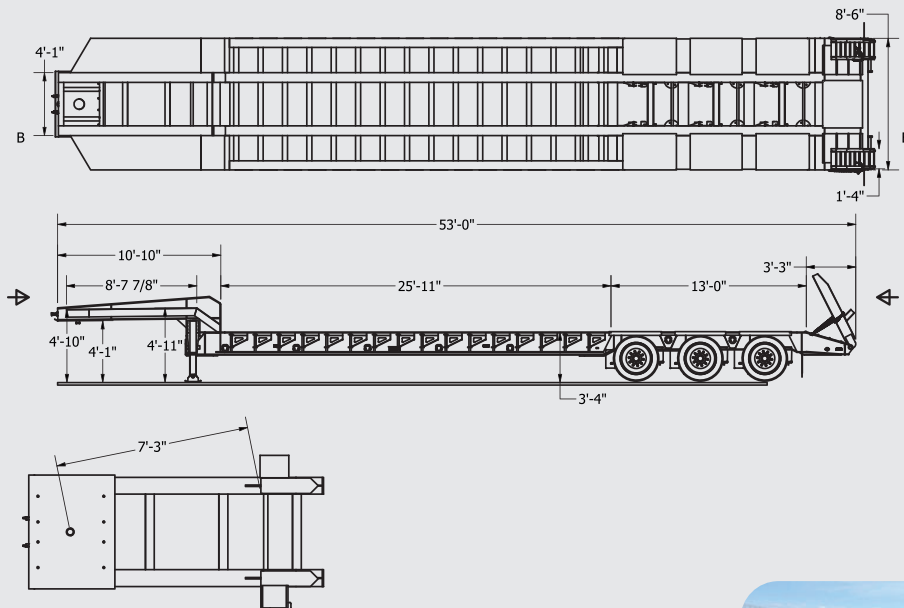
LANDING GEAR

- Landing Gear : Two speed, square led. 60,000 lb. lift capacity and 170,000 lb. static load capacity.
- Landing Gear Foot Group : 10" x 9.5" low profile sandshoe
- Crank Handle Location : Roadside

LIGHTING

- Light Attachment : Flange mounted
- Light Type : LED

TTSA
TRAILERS



BRAKES

- Drum : Steel outboard mounted
- Lubrication: Synthetic Grease
- Brake System Type : 4S2M
- Brake Chambers : 30/30

WHEELS

- Rims : 8.25" × 22.5"
- Tire Size : 255/70R22.5
- Hub Type : Steel

AXLES

- Axle Type : 5" round, tapered, 77.5" long
- Axle Quantity : Three
- Axle Centers : 51 inches
- Kingpin Location : 16 inches from rear face of front bolster.

SUSPENSION

- Suspension Type : Air Suspension

FINISH

- Metal Preparation : Clean, dry steel and commercial blast cleaning
- Primer : Zinc-rich primer
- Topcoat : Urethane



Truck Trailer Pros
(210) 760-0509

Info@TruckTrailerPros.com
TruckTrailerPros.com